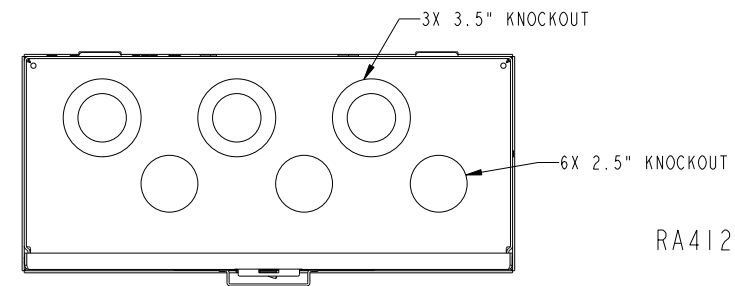
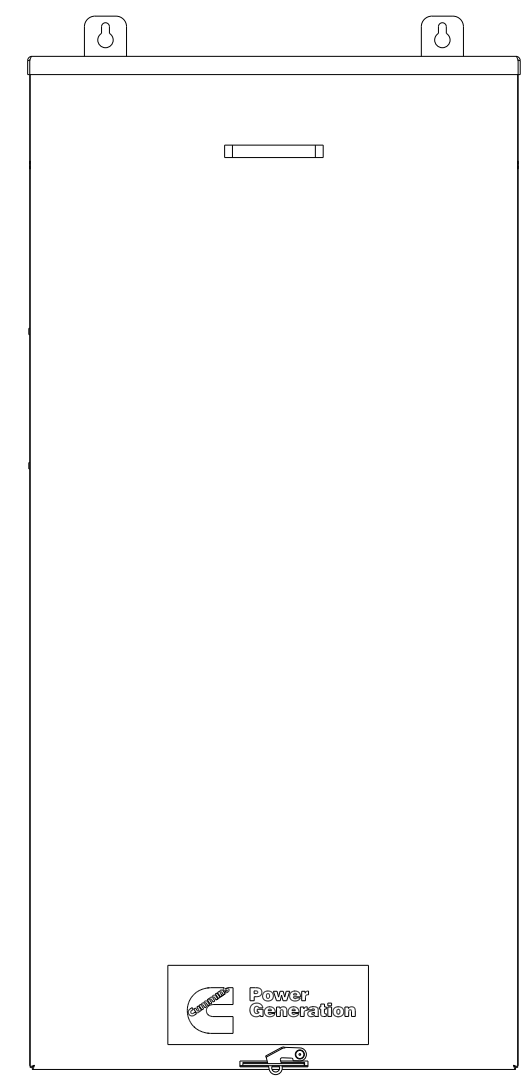
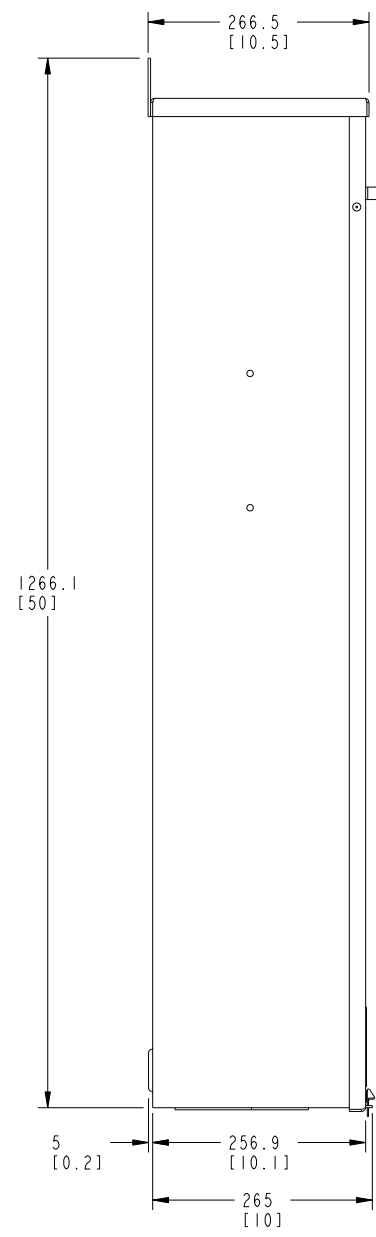
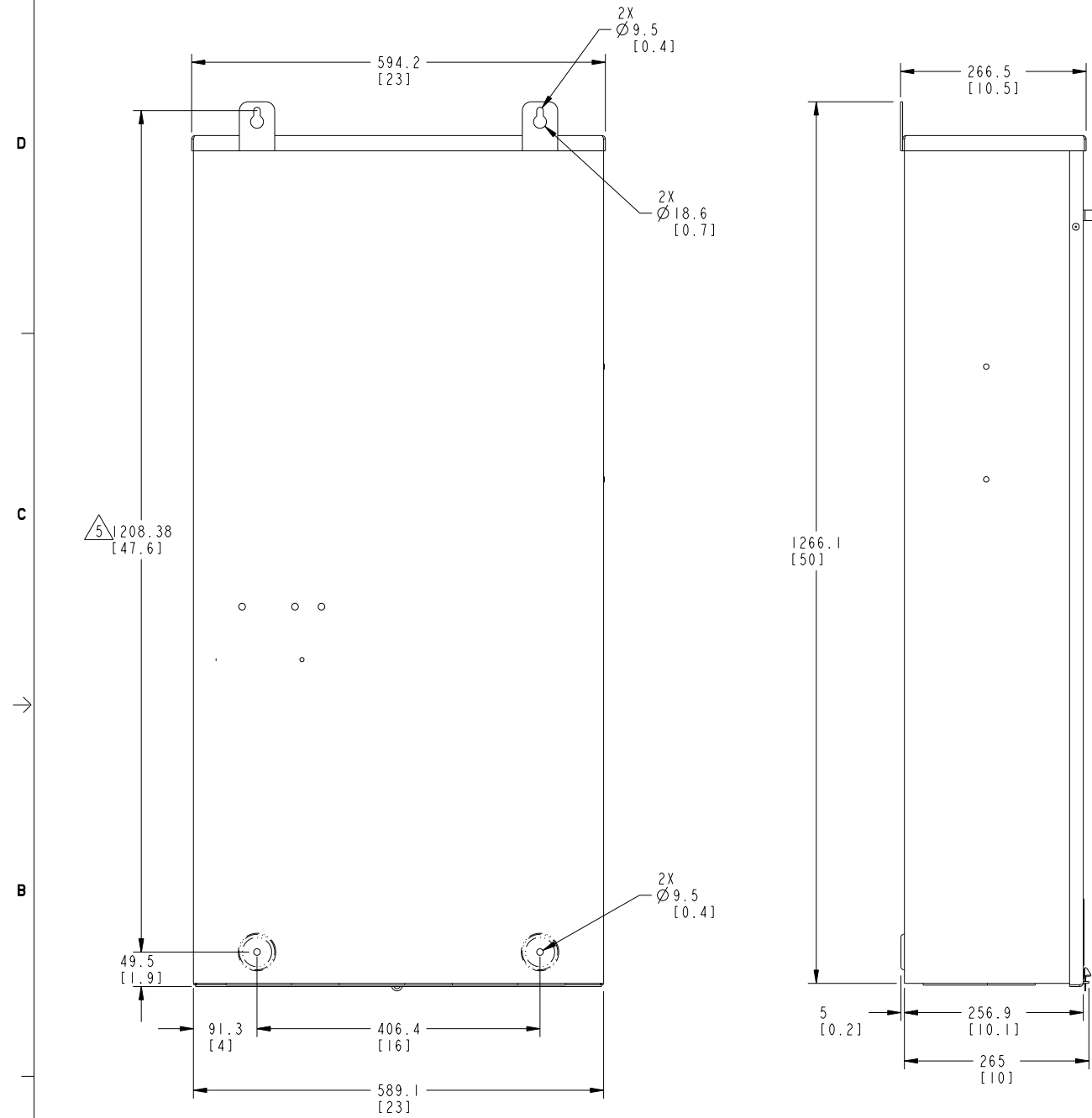


REL NO	LTR	NO	REVISION	OWN	CKD	APVD	DATE
ECO-159993	C	1	PICTORIAL UPDATE	GAC	JFM	JDM	01MAR16
		2	SEE SHEET 2	GAC	JFM	JDM	01MAR16



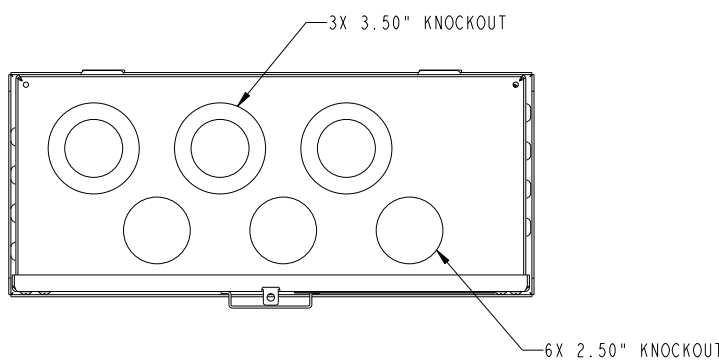
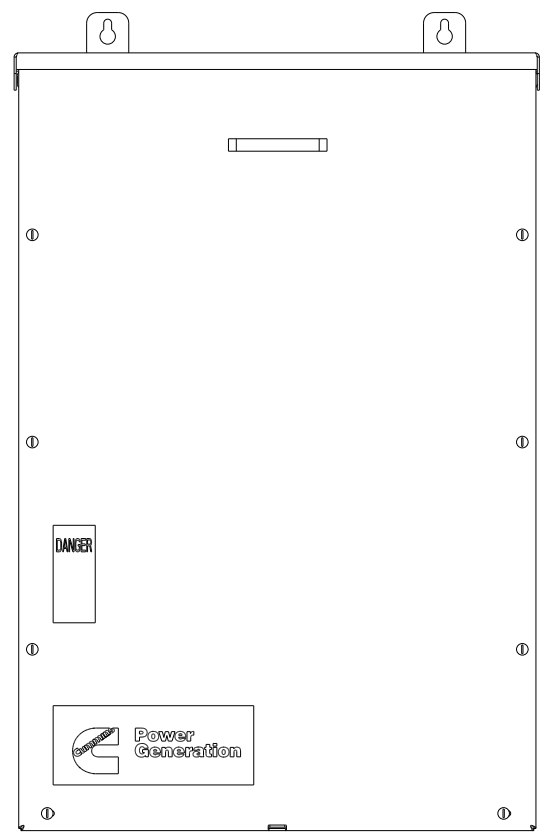
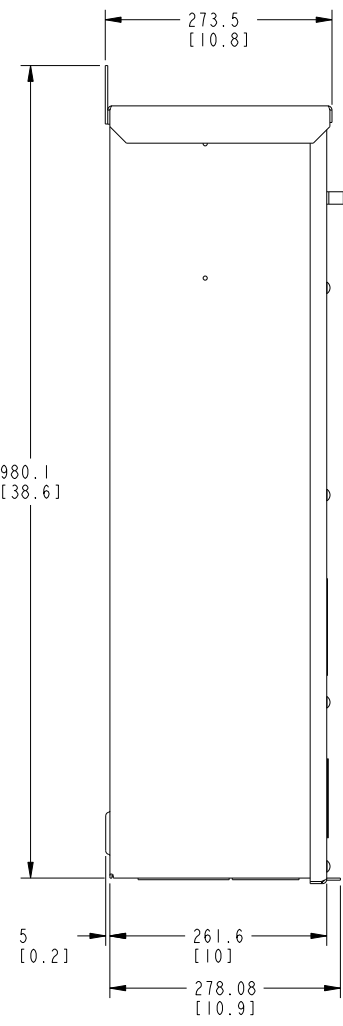
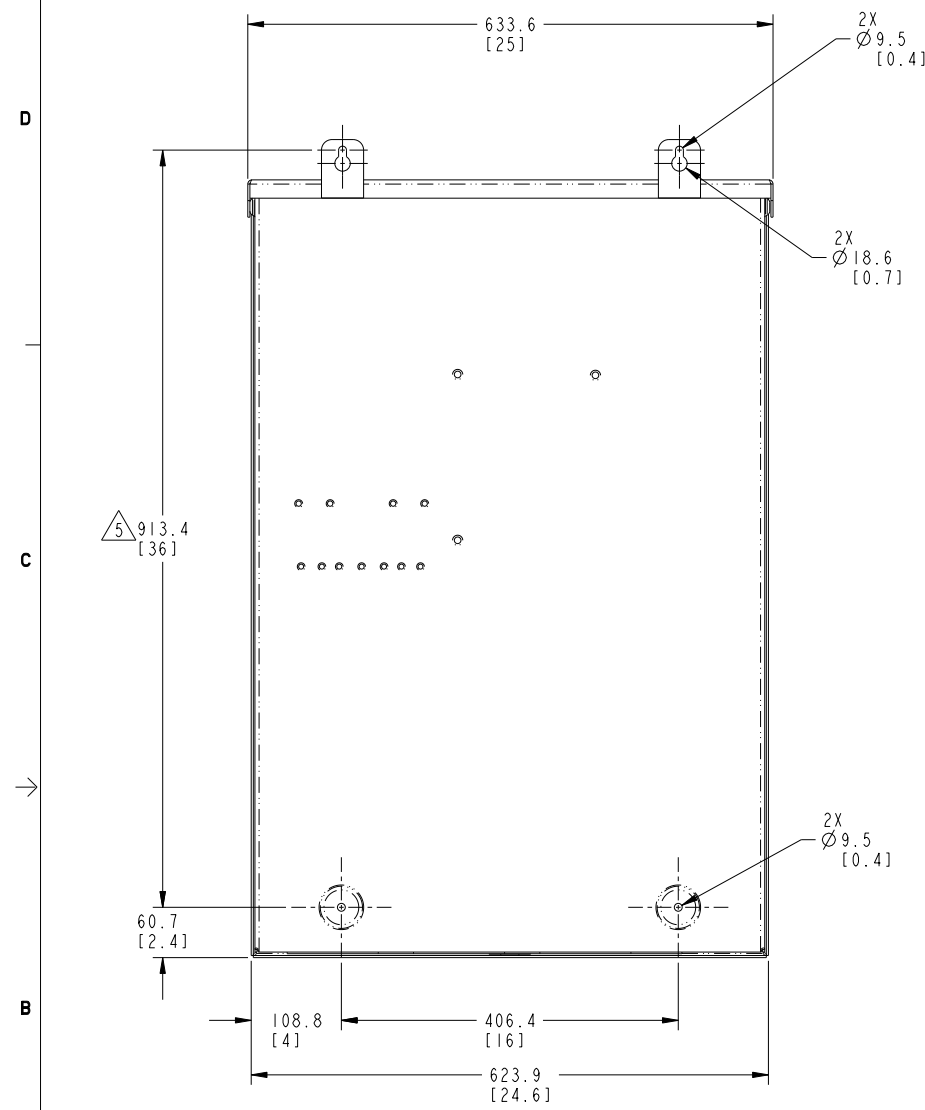
RA412S3 (400A SERVICE ENTRANCE)

LUG CAPACITY	
AMPERAGE	400A
UTILITY (CIRCUIT BREAKER)	(2) 2/0 AWG-250 MCM CU/AL
LOAD/GENERATOR (TRANSFER SWITCH)	(1) 3/0 AWG-600 MCM CU/AL (1) #4 AWG-250 MCM CU/AL
NEUTRAL	(3) 3/0 AWG-600 MCM CU/AL (3) #4 AWG-250 MCM CU/AL
GROUND	(6) #6 AWG-3/0 CU/AL

- NOTES:
- ENCLOSURE: TYPE 3R
  - APPROX WEIGHT: 95.6 LBS (43.4KG)
  - USE SEPERATE CONDUITS FOR CONTROL WIRING & POWER WIRING. DO NOT COMBINE.
  - DIMENSIONS IN [ ] ARE INCHES.
- △ DIMENSION USING 1/4 INCH MOUNTING BOLT DIAMETER.

UNLESS OTHERWISE SPECIFIED, ALL DIMENSIONS ARE IN MILLIMETERS		SIM TO		OWN G.COLLEEN		CUMMINS POWER GENERATION	
DO NOT SCALE PRINT		CRO J.MEAD		APVD T.ABIBO		OUTLINE, TRANSFER SWITCH	
DATE 30MAY14		SITE CODE		PGF		A049Z141	
ANG TOL: ± 1.0°		SCALE: 1:4		FIRST USED ON ARROW 400A		SHEET 1 OF 2	
FOR INTERPRETATION OF DIMENSIONS AND TOLERANCING, SEE ASME Y14.5M-1994		- CONFIDENTIAL - PROPERTY OF CUMMINS POWER GENERATION GROUP		REV C		C	

REL NO	LTR	NO	REVISION	OWN	CKD	APVD	DATE
ECO-159993	C	1	PICTORIAL UPDATE	GAC	JFM	JDM	01MAR16
		2	ZONE 6B, 60.7/[2.4] WAS 59.56/[2.3]	GAC	JFM	JDM	01MAR16



RA412N3 OUTLINE (400A NON-SERVICE ENTRANCE)

- NOTE:
- ENCLOSURE: TYPE 3R
  - APPROX WEIGHT: 64.5 LBS [29.3KG]
  - USE SEPARATE CONDUITS FOR CONTROL WIRING & POWER WIRING. DO NOT COMBINE
  - DIMENSIONS IN [ ] ARE IN INCHES.
  - △ DIMENSION USING 1/4 INCH MOUNTING BOLT DIAMETER.

LUG CAPACITY	
UTILITY/GEN/LOAD	(1) 3/0 AWG - 600 MCM (1) #4 AWG - 250 MCM
NEUTRAL	(3) 3/0 AWG - 600 MCM (3) #4 AWG - 250 MCM
GROUND	(6) #6 AWG - 3/0

UNLESS OTHERWISE SPECIFIED, ALL DIMENSIONS ARE IN MILLIMETERS		SIM TO		OWN G. COLLEEN		CUMMINS POWER GENERATION	
DO NOT SCALE PRINT		CKD J. MEAD		APVD T. ABIBO		OUTLINE, TRANSFER SWITCH	
DATE 30MAY14		SITE CODE		PGF		A049Z141	
ANG TOL: ± 1.0°		SCALE: 1:4		FIRST USED ON ARROW 400A		SHEET 2 OF 2	

**Part A049Z141 C**

Description	Legacy Name	External Regulations	Application Status	Release Phase Code	Security Classification	Alternates
OUTLINE,TRANSFER SWITCH	A049Z141	None	Production Only	Production	Proprietary	

**Part Specifications :A049Z141 C**

Name	Description	Legacy Name
A030B356	SPECIFICATION,MATERIAL	CES10903
A049Z142	DRAWING,ENGINEERING	A049Z142